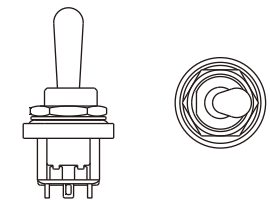
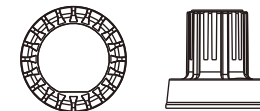


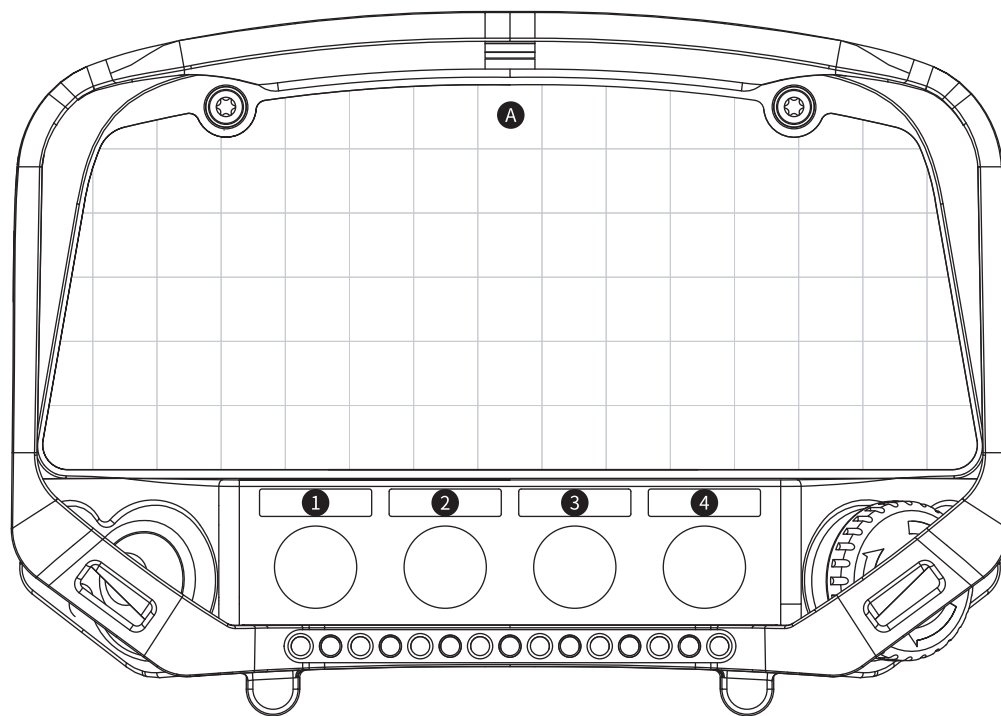
**Momentary Push Button**  
PAS6



**Toggle Switch:**  
3TJW106D, 3TJW106E,  
3TJW106H, 3TJW106G



**Rotary Switch**  
VM-H



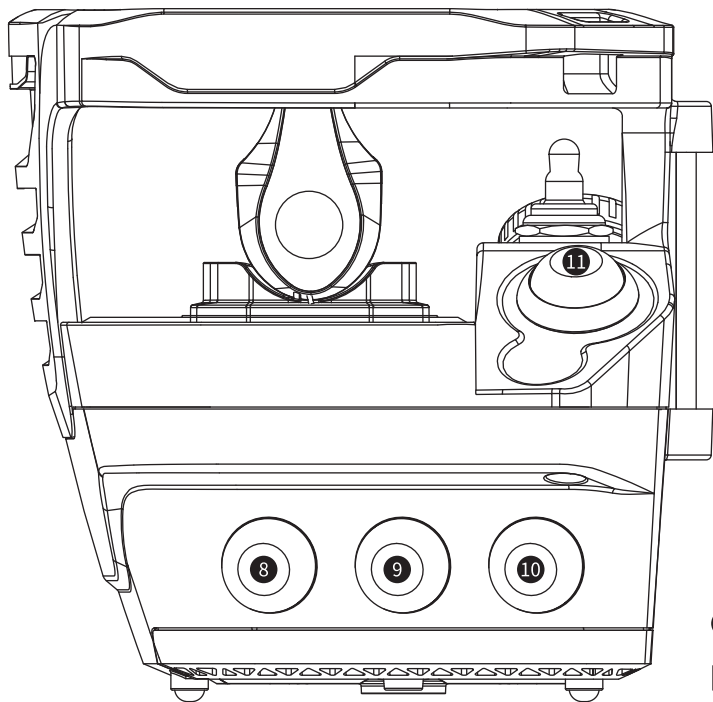
- 1  Symbol 符號
- OFF - ON (3TJW106D)
  - ON - OFF - ON (3TJW106E)
  - ON - OFF - (ON) (3TJW106H)
  - (ON) - OFF - (ON) (3TJW106G)
  - PAS6
  - NONE

- 2  Symbol 符號
- OFF - ON (3TJW106D)
  - ON - OFF - ON (3TJW106E)
  - ON - OFF - (ON) (3TJW106H)
  - (ON) - OFF - (ON) (3TJW106G)
  - PAS6
  - NONE

- 3  Symbol 符號
- OFF - ON (3TJW106D)
  - ON - OFF - ON (3TJW106E)
  - ON - OFF - (ON) (3TJW106H)
  - (ON) - OFF - (ON) (3TJW106G)
  - PAS6
  - NONE

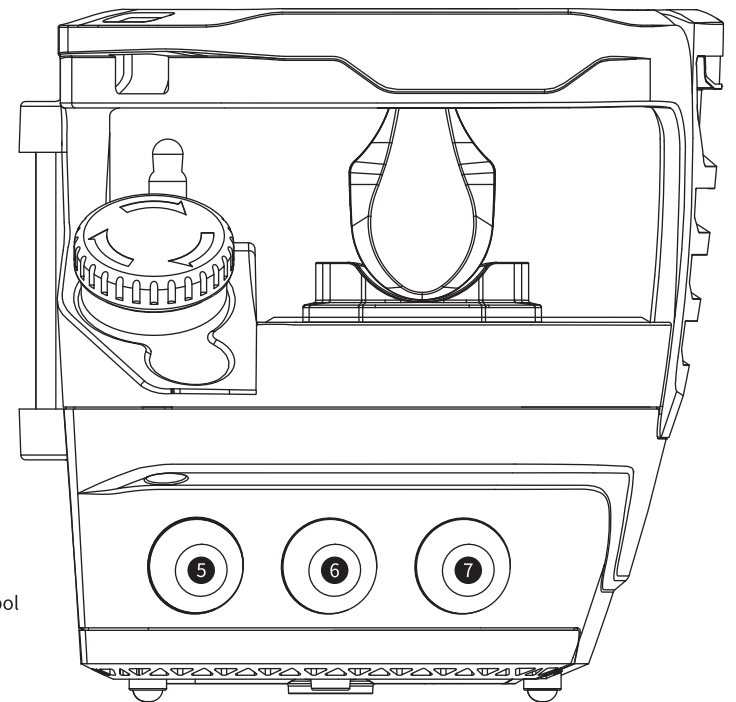
- 4  Symbol 符號
- OFF - ON (3TJW106D)
  - ON - OFF - ON (3TJW106E)
  - ON - OFF - (ON) (3TJW106H)
  - (ON) - OFF - (ON) (3TJW106G)
  - PAS6
  - NONE

Please draw the placement on the deck & indicate the part number of each component.  
請於空白面板繪製配置需求，並註明零件型號。



- 11 PAS6
- KEY TYPE (optional)

- (optional)
- 10 Symbol 符號
- PAS6



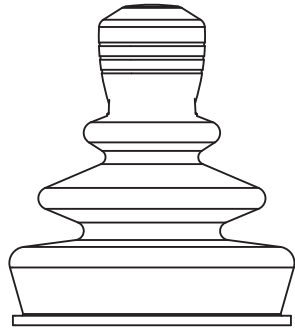
- (optional)
- 5 Symbol 符號
- PAS6

- (optional)
- 8 Symbol 符號
- OFF - ON (3TJW106D)
- ON - OFF - ON (3TJW106E)
- ON - OFF - (ON) (3TJW106H)
- (ON) - OFF - (ON) (3TJW106G)
- PAS6

- (optional)
- 9 Symbol 符號
- OFF - ON (3TJW106D)
- ON - OFF - ON (3TJW106E)
- ON - OFF - (ON) (3TJW106H)
- (ON) - OFF - (ON) (3TJW106G)
- PAS6

- (optional)
- 6 Symbol 符號
- OFF - ON (3TJW106D)
- ON - OFF - ON (3TJW106E)
- ON - OFF - (ON) (3TJW106H)
- (ON) - OFF - (ON) (3TJW106G)
- PAS6

- (optional)
- 7 Symbol 符號
- OFF - ON (3TJW106D)
- ON - OFF - ON (3TJW106E)
- ON - OFF - (ON) (3TJW106H)
- (ON) - OFF - (ON) (3TJW106G)
- PAS6



**series  
JM -**

**Limiters  
限制器**

- A Single Axis - Y □
- B Single Axis - X □
- C Two Axis - Cross ⊕
- S Two Axis - Square □

**Operation  
操作模式**

- A 19.5° (sprung to center) — 0
- B 32.5° (sprung to center) — 0
- C Detents — 2, 3, 4, 5

**Detent  
段數**

**Top Push button  
頂部按鍵**

- N None
- S Single Step (optional)
- D Double Step (optional)

**Customized  
訂製款**

\*

\*

\*

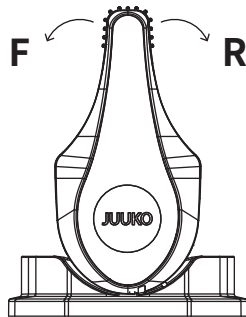
\*

—

\*\*\*\*

CODE  
搭配編碼

—



**series  
PM -**

**F**

**Operation  
操作模式**

- A 25.5° (sprung to center) — 0
- B 45.5° (sprung to center) — 0
- C 0° — 0
- D Detents — 2, 3, 4, 5

**Detent  
段數**

**R**

**Operation  
操作模式**

- A 25.5° (sprung to center) — 0
- B 45.5° (sprung to center) — 0
- C 0° — 0
- D Detents — 2, 3, 4, 5

**Detent  
段數**

**Customized  
訂製款**

\*

\*

\*

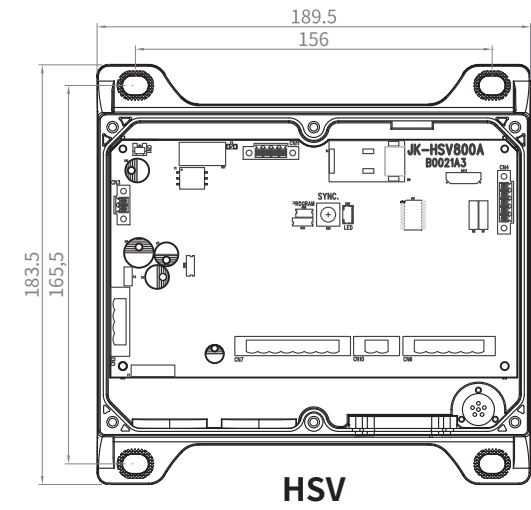
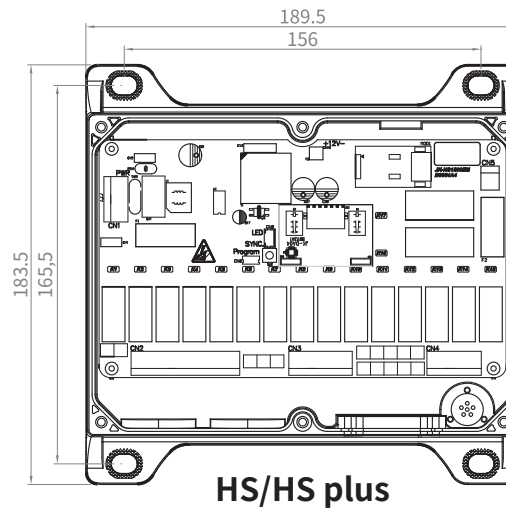
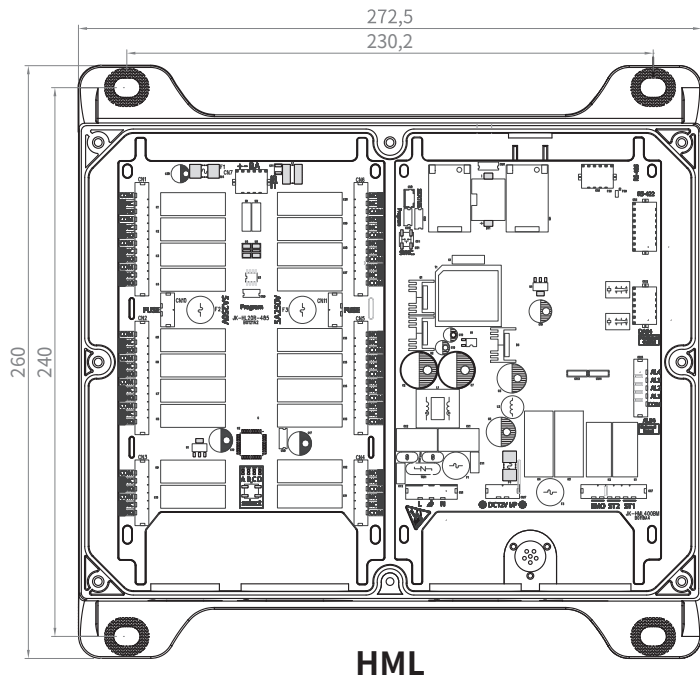
\*

—

\*\*\*\*

CODE  
搭配編碼

—



## Receiver

### HML2400

- 24-48V adc
- 90-460V adc

\*24 relay +0-10V dc  
analogue output\*4

### HML4400

- 24-48V adc
- 90-460V adc

\*44 relay +0-10V dc  
analogue output\*4

### HS

- 24-264V adc
- 90-460V adc

\*17 relay

### HS plus + DA04

- 24-264V adc
- 90-460V adc

\*17 relay +0-10V dc  
analogue output\*4

### HSV

- 12-24V dc
- \*16 PWM

### HS plus + DA08

- 24-264V adc
- 90-460V adc

\*17 relay +0-10V dc  
analogue in/output\*8

### Antenna

- Internal
- External
- External Magnetic antenna - 2M
- External Magnetic antenna - 5M

### Other

- \_\_\_\_\_